

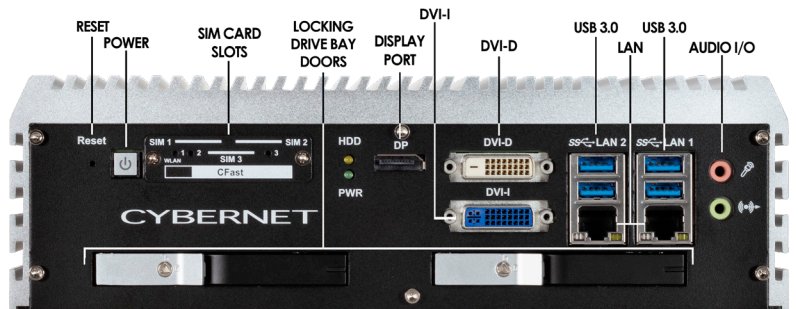
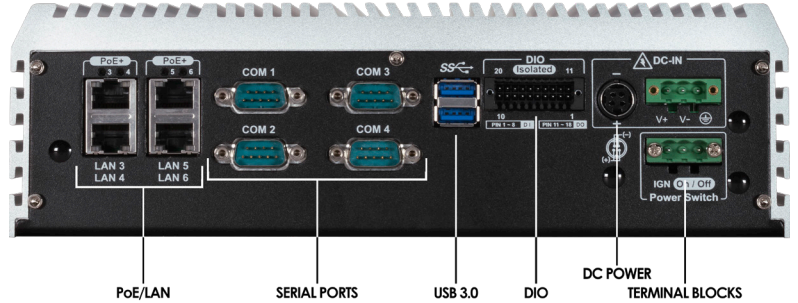
# iPC E1s

## PoE Enabled Rugged Mini PC



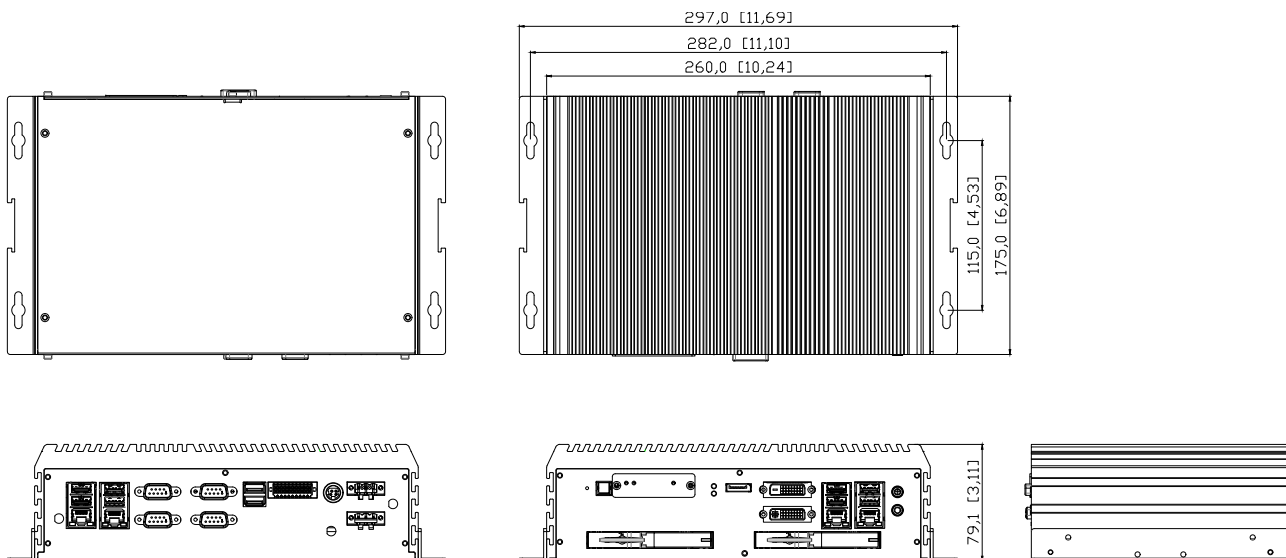
## Main Features

- Power Sourcing Equipment (PSE)
- Ignition Control
- Industrial Shock & Vibration Rated
- Fanless Design
- CE, FCC, & RoHS Certified
- Locking Removeable Drive Bays



## Technical Specifications

<b>CPU Support</b>	6th Generation Intel Core i3, i5 & i7 Processors
<b>Chipset</b>	Intel C236
<b>Memory</b>	2x DDR4/DDR4L 2133MHz SO-DIMM sockets, populated up to 64GB (32GB x 2)
<b>Operating System</b>	Windows 10, Windows IoT, Windows 8.1, Windows 7, Linux
<b>Video &amp; Graphics</b>	Intel HD 630/530 Graphics
<b>Networking</b>	1x Gigabit (Gbe) Intel i219LM 1x Gigabit (Gbe) Intel I210 4x Gigabit (Gbe) Intel I210 w/IEEE 802.3at (25.5W) Power output per port
<b>Wireless</b>	802.11 a/b/g/n/ac + Bluetooth 4.0 Integrated 3G/4G LTE Mobile Broadband (Optional)
<b>Expansion Slots</b>	2x miniPCle (Full-Size), 1x miniPCle (Half-Size) 1x CFast Slot
<b>HDD Support</b>	2x 2.5" Solid State Drives up to 2TB
<b>Display Outputs</b>	DVI-D / 1920 x 1200 @ 60Hz DVI-I / 1920 x 1200 @ 60Hz Display Port / 4096 x 2304 @ 60Hz
<b>Power Supply</b>	180W External Supply with High Voltage Surge Protection. DC-IN: 6V~36V
<b>Relative Humidity</b>	5%~95% (non-condensing)
<b>Shock &amp; Vibration</b>	IEC60068-2-27 & IEC60068-2-64



## Mechanical & Environmental

<b>Dimensions</b>	10.2" x 6.9" x 3.1" (L,W,D)
<b>Weight</b>	8.5 lb
<b>Wall Mount</b>	Custom Mounting Bracket for Wall, VESA, Din Rail or Rack Mount Solutions
<b>Environment</b>	Ambient Temperature: -25°C~70°C (operating)
<b>Certifications</b>	FCC, CE, RoHS, EN50155, EN50121-3-2, Energy Star, IEC60068-2-64 , IEC60068- 2-27

## Input/Output

<b>I/O Ports</b>	<ul style="list-style-type: none"> <li>6x USB 3.0 Ports</li> <li>16x Isolated DIO (8 DI, 8 DO)</li> <li>4x Serial Ports (RS-232/422/485)</li> <li>1x SIM Card Socket</li> <li>6x Gigabit (Gbe) Ports (LAN3/4/5/6 PSE)</li> <li>1 x DP Out</li> <li>1x Terminal block for Power on/off switch</li> <li>1x Terminal DC-in (9~36V input)</li> <li>1x DC-In (9~36V input)</li> </ul>
<b>Audio</b>	Realtek ALC892 High Definition Audio, Dolby Digital 5.1 surround sound, 10 channels of enhanced sound quality, multiple audio streams and jack re-tasking

## Optional Features

- Hardware RAID Configuration
- 4G LTE Wireless Data Adapter
- Up to 32GB of Memory
- Extended Warranties
- Windows IoT
- Secondary Hard Drive



**CYBERNET**

Find out more at [www.cybernet.us](http://www.cybernet.us)  
Global Operations: USA · UK · Taiwan · China · Australia  
Email: [sales@cybernet.us](mailto:sales@cybernet.us)

Ready for your iPC E1s?

Get Quote